

4 CHANNEL 8 INPUT MIXER with REVERB

RevMix

- Thank you for purchasing Kawai 4 Channel (8 Input) Mixer "RevMix".
This Owner's Manual contains valuable information that will help you make full use of this instrument's many capabilities.
Read it carefully and keep it handy for future reference.

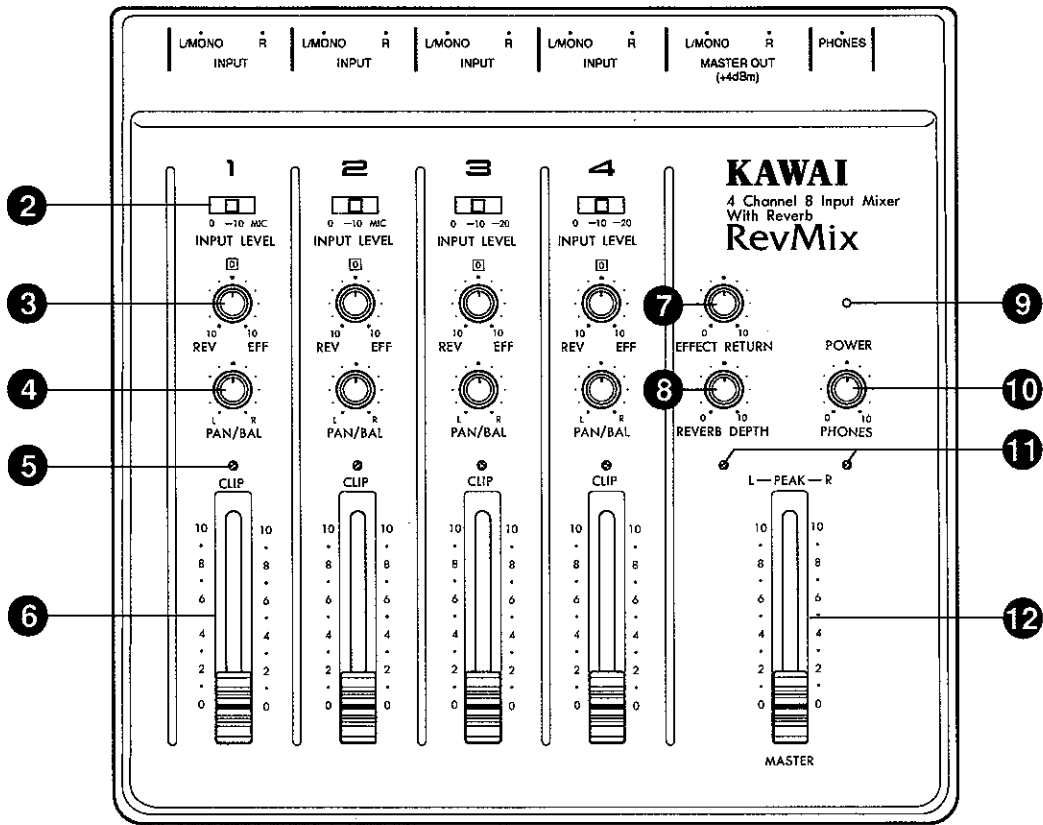
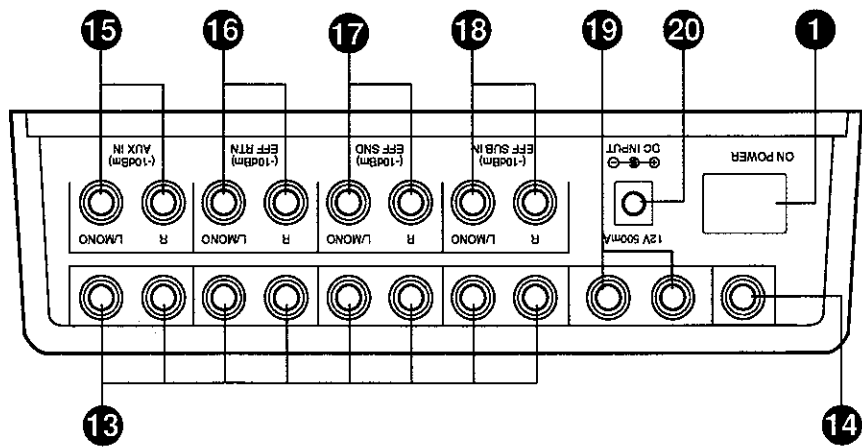
■ Features

1. Each fader controls a STEREO input. Therefore, the RevMix can control up to 8 inputs.
2. Using internal REVERB processor, a superb reverb effect is easily available without any external device.
3. High signal-to-noise ratio, suitable for any mixing application.
4. 45mm long-throw faders give a professional feeling.
5. Cascade connection of two RevMix (or with the Kawai MX-4S Mixer) is possible with AUX IN and EFFECT SUB IN.
6. Half-rack size enables a perfect fit atop other half-rack modules.

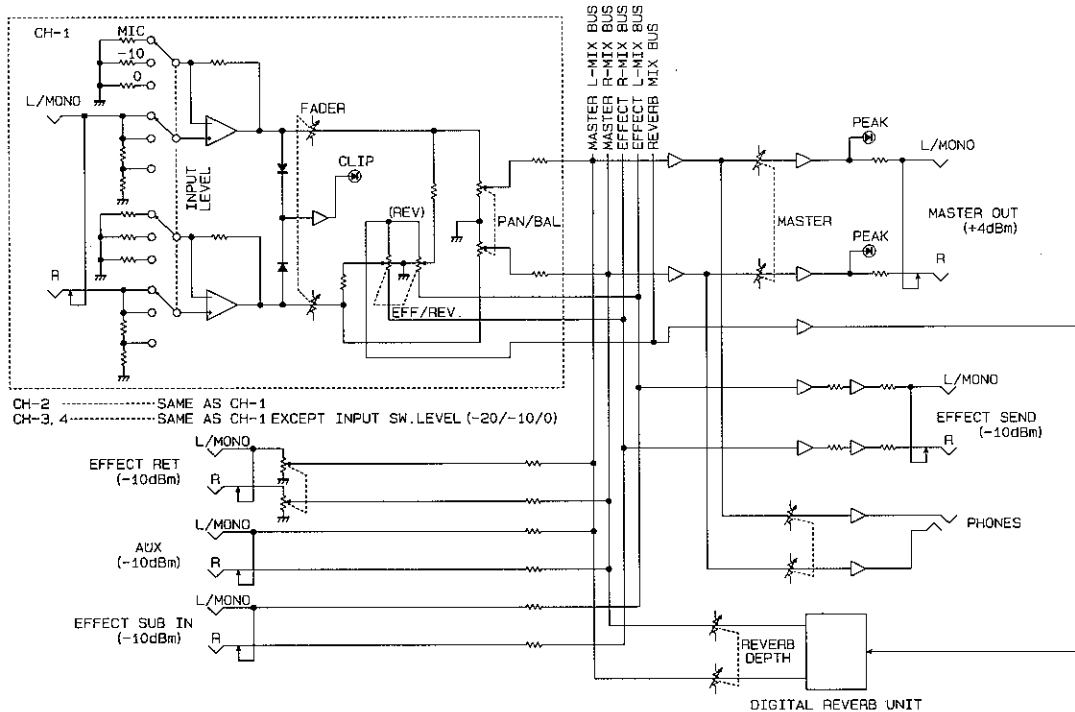
■ Important Notes

- Always connect the mixer to the proper power Supply.
- Use separate circuits for equipment that consumes a lot of power or generates line noise.
- Protect the mixer from dust, heat, humidity, and direct sunlight.
- Turn all power switches off before connecting or disconnecting equipment.
- Set the amplifier volume to its minimum setting before turning on the mixer.
- Clean the mixer with a clean dry cloth. Do not use benzene, paint thinner, or other solvents.

■ PANEL LAYOUT



■ BLOCK DIAGRAM



Names of Parts

- ① **Power Switch** : Turns on and off power to the mixer. Make sure that the MASTER FADER control is at its minimum level before turning this switch on or off.
- ② **Input Level Switch (CH1&2: 0/-10/MIC)
(CH3&4: 0/-10/-20)** : Adjusts the channel gain to match the input level.
Input channels 1 and 2 also substitute a microphone (MIC) position.
- ③ **REV/EFF (Reverb Depth/Effect Balance)** : Turning this knob to the left area adds the REVERB effect to the input sound. (During setting the left area, no signals will be sent to external effect.)
Turning to the right sends the input sound to the external EFFECT device. (During setting the right area, no internal REVERB effect will be added.)
- ④ **Panpot/Balance** : This knob controls the left-right balance for a stereo input or the stereo panning for a mono input.
- ⑤ **Clip Indicator** : Lights when the input level exceeds the maximum, resulting in clipping distortion. The gain switches can be used to eliminate clipping.
- ⑥ **Channel Fader** : Controls the volume of each channel.
- ⑦ **Effect Return Volume** : Controls the volume of signals from effect devices.
- ⑧ **Reverb Depth** : Adjusts the entire depth of the RevMix internal REVERB effect.
- ⑨ **Power Indicator** : Lights when the power is on.
- ⑩ **Headphone Volume** : This knob controls the volume of the headphone output.
- ⑪ **Peak Indicator** : This LED lights when the output level is 2dB below output clipping level. Adjust the output level with MASTER FADER so that this LED does not flash.
- ⑫ **Master Fader** : Controls the volume of master mixed output.
- ⑬ **Inputs 1-4 (R, L/MONO)** : Accepts outputs from the instruments. Channel 1 and 2 also accept output of microphones. Instruments such as cassette tape players can be connected by using the STANDARD RCA-pin adaptors included with your RevMix.
- ⑭ **Headphone Jack** : Accepts a standard stereo headphone jack.
- ⑮ **Aux Input (R, L/MONO)** : When you connect another RevMix(or Kawai MX-4S mixer) to this jack, you can use them together as an 8 channel stereo mixer (Cascade function). Other instruments (such as CD players, cassette tape players) can also be connected.
- ⑯ **Effect Return (R, L/MONO)** : Is the effect input to the master mixed output. Connect the return signals from your effect devices to this input. If a device's output is monaural, connect it to the L/MONO jack. This input can also be used as an Aux input.
- ⑰ **Effect Send (R, L/MONO)** : Is the output of the effect bus. Connect this output to the input of your effect device.
- ⑱ **Effect Sub In (R, L/MONO)** : When you use 2 RevMix units (or with Kawai MX-4S mixer) with Cascade connection, connect the effect send of the other mixer to this terminal.
- ⑲ **Master Out (R, L/MONO)** : Connect these outputs to a power amp, or monitor speaker with power amp. The master fader will affect the level of this output. The L terminal will send both L and R signals when using only one output. When you use two RevMix units (or with Kawai MX-4S mixer) with Cascade connection, connect these jacks to the AUX IN of the other RevMix (MX-4S) and you can use them as an 8 channel stereo mixer.
- ⑳ **DC Input** : Connect this jack to the included AC adaptor. Be sure to use only the included adaptor for the RevMix.

SPECIFICATIONS

Inputs		Input ^{※1}	Input Level	Maximum	Input ^{※3}	Suitable Source
LEVEL SW		Sensitivity	Rating ^{※2}	Input Level	Impedance	Impedance
CH INPUT	0(CH1~4)	-6dBm	0dBm	+15dBm	more than 12kΩ	less than 1kΩ
	-10(CH1~4)	-16dBm	-10dBm	+5dBm	more than 12kΩ	less than 1kΩ
	-20(CH3,4)	-26dBm	-20dBm	-5dBm	more than 12kΩ	less than 1kΩ
	MIC(CH1,2)	-51dBm	-45dBm	-30dBm	more than 12kΩ	less than 1kΩ
	EFFECT RETURN	-16dBm	-10dBm	+20dBm	more than 12kΩ	less than 1kΩ
AUX INPUT	-10dBm	-10dBm	+9dBm	more than 50kΩ	less than 1kΩ	
EFFECT SUB INPUT	-10dBm	-10dBm	+10dBm	more than 25kΩ	less than 1kΩ	

Outputs	Output	Maximum	Output	Suitable Source
	Level Rating	Output Level	Impedance	Impedance
MASTER OUT	+4dBm	+8.5dBm	1kΩ ^{※5}	more than 5kΩ
EFFECT SEND	-10dBm	+8.5dBm	1kΩ ^{※5}	more than 5kΩ
HEAD PHONES	—	35mw+35mw ^{※4}	22Ω	more than 8kΩ

※4 load100Ω

※5 STEREO OUTPUT

※1 PAN/BAL.....CENTER, FADER, Other VOLUME.....ALL MAX

※2 PAN/BAL.....CENTER, MASTER FADER.....MAX
CH FADER · Other VOLUME....."8"

※3 STEREO INPUT

Connectors	INPUT JACK(PHONE) MASTER OUT JACK(PHONE) EFFECT JACK(PHONE) AUX INPUT JACK(PHONE) HEADPHONE JACK(PHONE) EFFECT SUB IN JACK(PHONE)	8 2 SEND2(POST FADER), RETURN2 2 1 2
Controls	CH INPUT LEVEL SW(0/-10/MIC) CH INPUT LEVEL SW(0/-10/-20) REV/EFF VOLUME PAN/BAL CH FADER MASTER FADER EFFECT RETURN VOLUME REVERB DEPTH HEADPHONE VOLUME POWER SW	2 2 4 4 4 1 1 1 1 1
Indicator	CLIP INDICATOR PEAK INDICATOR POWER INDICATOR	4 2 1
Frequency Response	CH LEVEL SW ... MIC CH LEVEL SW ... except for MIC	60Hz~40KHz ^{+0.5} ₋₃ dB 20Hz~55KHz ^{+0.5} ₋₃ dB
Equivalent Input Noise	CH-1,2 INPUT LEVEL SW(MIC)	-124dBm
Residual Noise (IHF-A curve, input terminals short-circuited)	MASTER FADER(MIN) MASTER FADER(MAX), ALL CH FADER(MIN) MASTER FADER(MAX), ALL CH FADER(MAX) CH LEVEL SW(-10) MASTER FADER(MAX), 1CH FADER(MAX) CH LEVEL SW(-20)	less than -98dBm less than -81dBm less than -78dBm less than -78dBm
Total Harmonic Distortion Crosstalk	between L&R, between Channels	less than 0.05%(50Hz~10KHz, +4dBm output) less than -70dBm(1KHz)
Dimensions (W x D x H)		219(W)×215(D)×65(H), (8-5/8" x 8-1/2" x 2-5/8") *including rubber feet (3mm)
Weight		1.0Kg, 2.21lbs
Power consumption		5.2W
Accessories	Standard-RCA Pin Plug AC adaptor Warranty, Service Manual	2 1