

KAWAI

Electric Grand Pianos

EP308

EP308S

OWNER'S MANUAL FOR EP308 EP308S

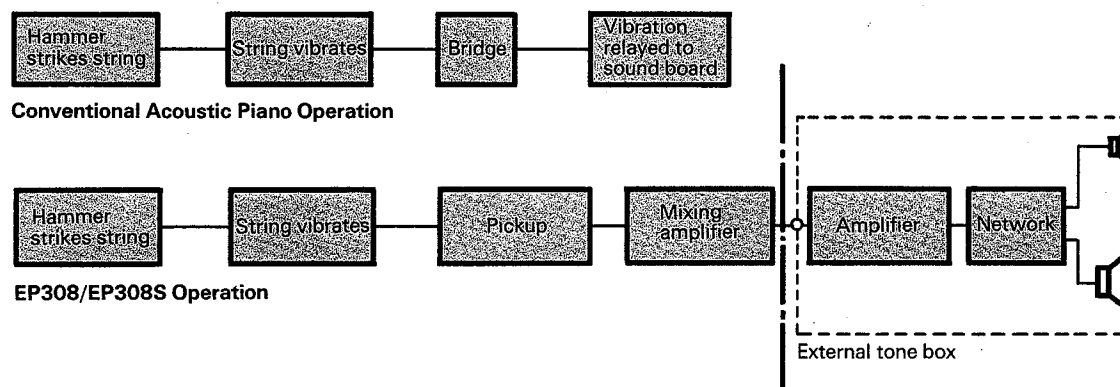
CONGRATULATIONS on the purchase of your new KAWAI electric grand piano. This owner's manual contains detailed informations and operating instructions for all the features and controls on the piano. Please read the manual to become familiar with your KAWAI electric piano and to enjoy it fully.

CONTENTS

1. OUTLINE OF EP308 AND EP308S	3
2. SPECIFICATIONS (EP308, EP308S)	3
3. BEFORE USE	5
4. ASSEMBLY PROCEDURES.....	5
EP308 ASSEMBLY	5
EP308S ASSEMBLY	6
1. LEG ASSEMBLY.....	6
2. PEDAL ASSEMBLY.....	6
CABLE CONNECTIONS	7
5. OPERATION.....	8
6. STORAGE (EP308 ONLY).....	8
7. CARE	9
PRECAUTIONS CONCERNING EP308	9
CARING FOR EP308.....	9
PRECAUTIONS CONCERNING EP308S.....	9
CARING FOR EP308S.....	9
8. ACCESSORY CASE.....	9
9. INSTALLING AND CONNECTING STRINGS	10
10. STRINGS OPERATION	11
11. STRINGS SPECIFICATIONS	11

1. OUTLINE OF EP308 AND EP308S

When Keyboard action causes a string to vibrate, the vibrations are detected by a piezo-electric cable pickup and the resulting electrical signal is corrected and amplified by an electrical circuit for output from an external tone box.



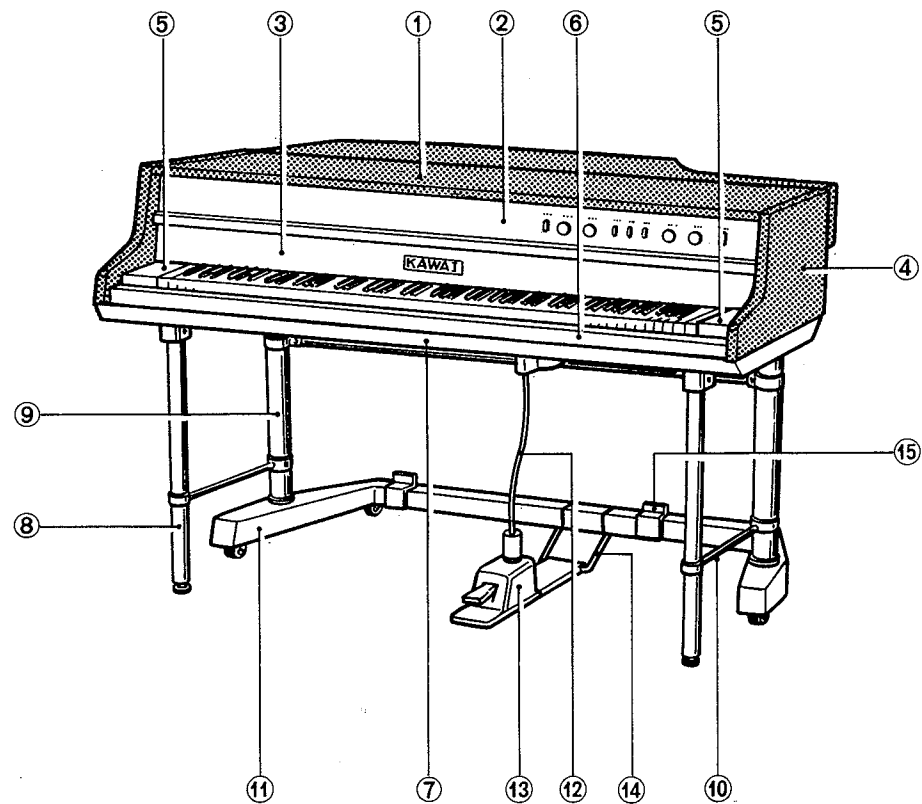
Features of EP308 and EP308S

- 1) Since Kawai Grand Piano keyboards and actions are used, touch is identical to that of an acoustic piano.
- 2) Use of piano strings for sound generation and a special pickup mechanism provide sound which is exceedingly close to that of an acoustic piano.
- 3) EP308 is much lighter than an ordinary piano; this, together with the rotatable body employed, makes it highly portable.
- 4) Since the electrical signal produced by the unit is output by a preamplifier, a speaker system which incorporates a power amplifier is required.

2. SPECIFICATIONS (EP308, EP308S)

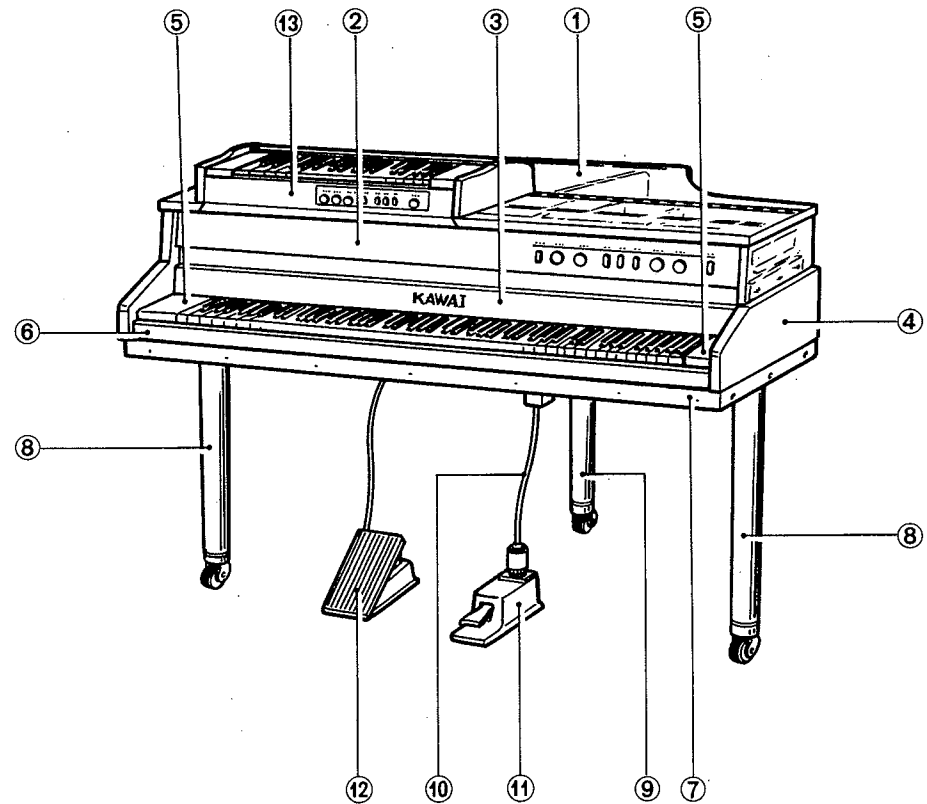
Item \ Model	EP308	EP308S	Item \ Model	EP308	EP308S
Keyboard	88 keys (A0 – C8)		Connection terminals	Output (2 × 2)	
Sound generation	Conventional acoustic piano system		Pedals	Damper pedal	
Action	KAWAI Grand piano action		Power source	from 12V AC adaptor	from 24V AC adaptor
Controls	Total volume Balance Piano 1 (normal) Piano 2 (hard) Piano 3 (brilliant)		Power consumption	2.5 Watt	(4.8 Watts with String added)
			Dimensions	1504 × 943 × 1086	1486 × 950 × 1110
			Weight	144 kg	159 kg
Effects	Tremolo (on/off) Tremolo intensity Tremolo speed		Patches	OUT: -20 dB, 600Ω IN: -20 dB, 30 kΩ	
			Other	Rotatable body	Can be used with Strings (optional)

EP308



1. Top board
2. Control panel
3. Key stop board
4. Side board
5. Cheek block
6. Key slip
7. Key bed
8. Front leg
9. Rear leg
10. Leg brace
11. Leg base
12. Pedal wire
13. Damper pedal
14. Pedal stopper
15. Anti-pivot bracket

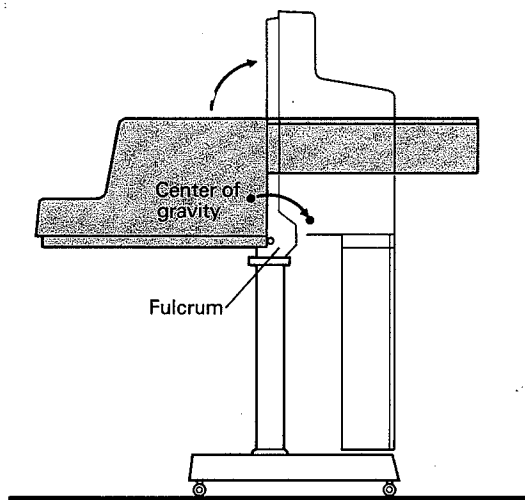
EP308S



1. Top board
2. Control panel
3. Key stop board
4. Side board
5. Cheek block
6. Key slip
7. Key bed
8. Front leg
9. Rear leg
10. Pedal wire
11. Damper pedal
12. Expression pedal (for strings)
13. String (optional)

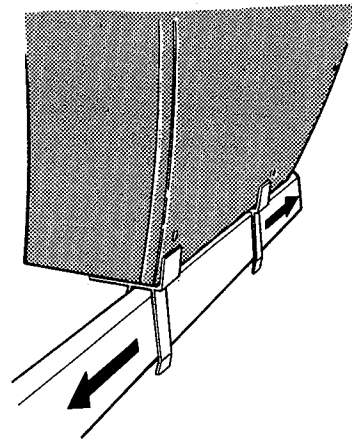
3. BEFORE USE

The body of EP308 is constructed so that it can be pivoted, making transportation and storage easier. This feature is a completely new one, but great care must be taken when using it. Be sure to read this owner's manual carefully, with particular attention to page 8.



4. ASSEMBLY PROCEDURES

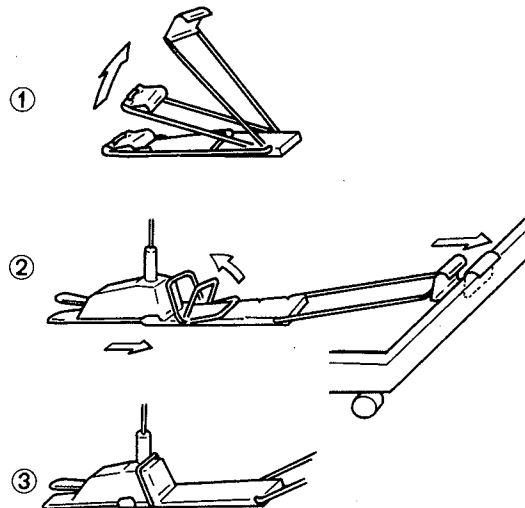
EP308 ASSEMBLY



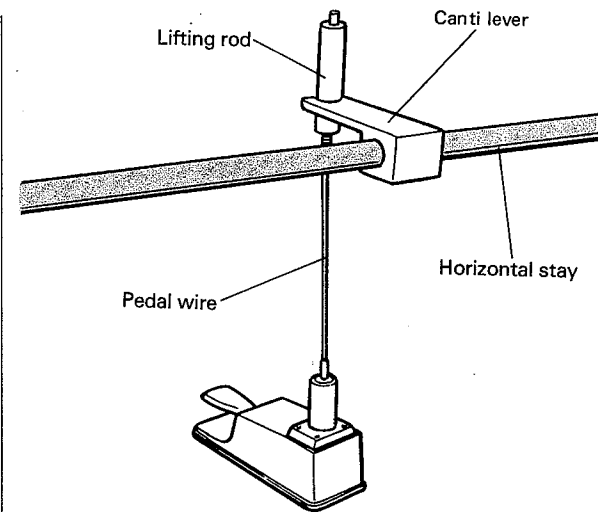
- 1) Unfasten the anti-pivot brackets.

NOTE:

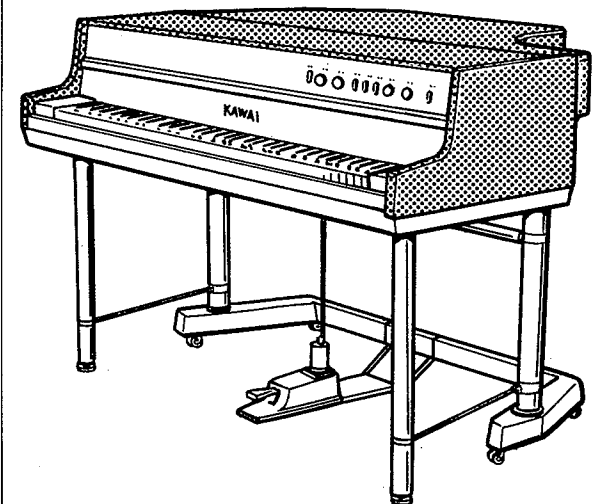
The body can be pivoted when these brackets are unfastened, so be careful not to jar the body or the legs.



- 3) Set the pedal stopper.



- 2) Mount the lifting rod on the tip of the pedal wire to the horizontal stay.



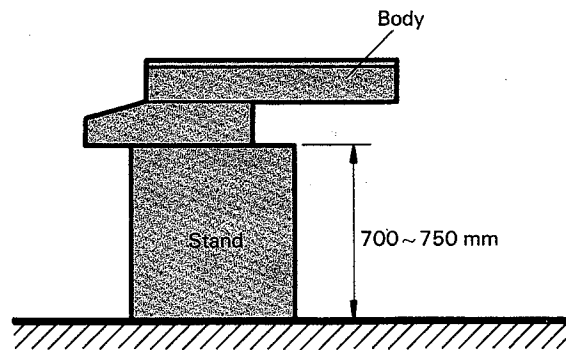
- 4) After installing the pedal, grasp the side board of the body and carefully rotate it into position.

NOTE:

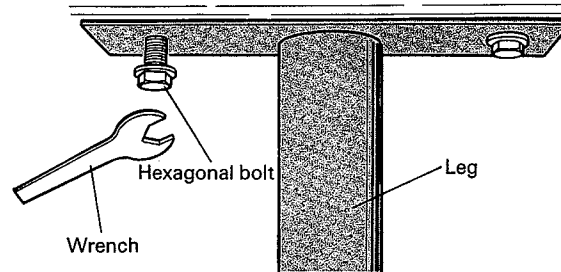
After rotating the body into position, confirm that the lifting rod is properly inserted into the body.

EP803S ASSEMBLY

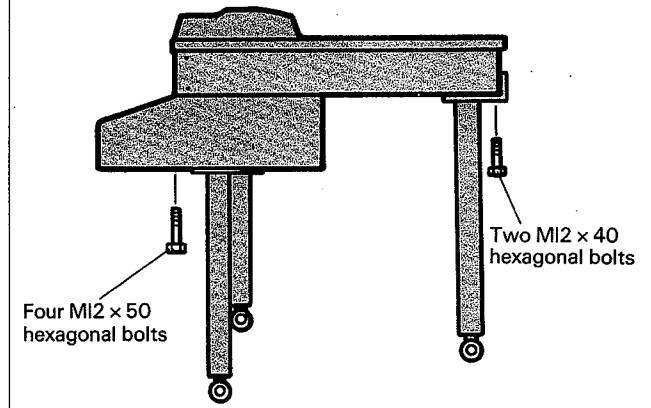
1. LEG ASSEMBLY



- 1) First, place the body on a stand with a height of approximately 700 mm.

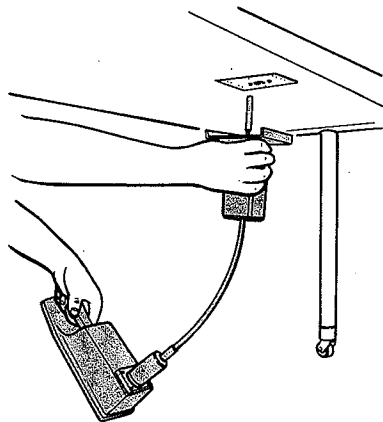


- 2) Use the hexagonal bolts provided to attach the rear leg (the longer one).

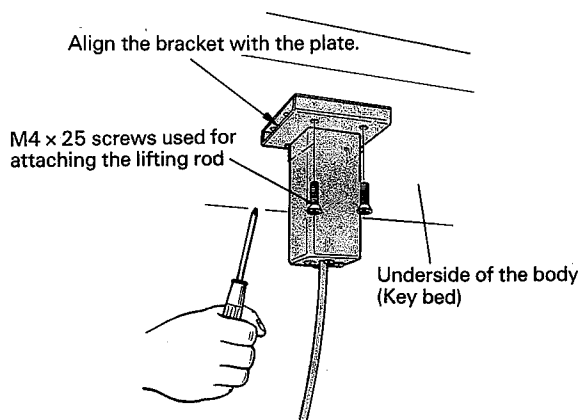


- 3) Next, attach the front legs. The rear leg is longer than the front ones; however, take note of the fact that the bolts used to attach it are shorter than those used to attach the front legs. Both front legs are of equal length and may be attached on either side.

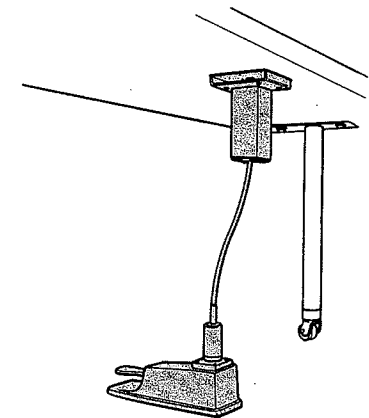
2. PEDAL ASSEMBLY (EP308S only)



- 1) Grasp the pedal and the pedal wire as shown in the figure and, bending the wire, insert the lifting rod into the hole in the bottom of the body.



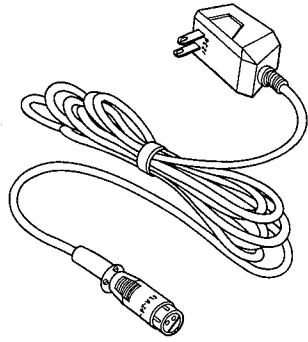
- 2) Next, use a Phillips screwdriver to install the M4 x 25 oval countersunk Phillips-head screws which fasten the lifting rod.



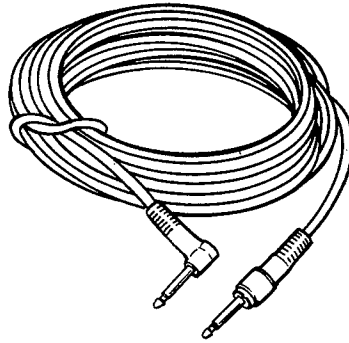
NOTE: Be careful to ensure that the screws are properly aligned before tightening them, since their threads are possibly stripped if they are cross-threaded.

CABLE CONNECTIONS

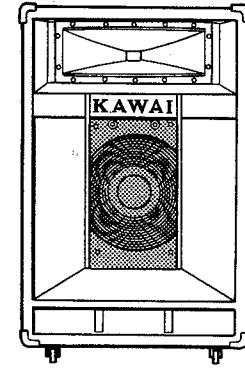
1) Items required for connecting the unit are the special KAWAI AC adapter, two signal cables, and two powered tone boxes (sold separately).



AC adapter accessory

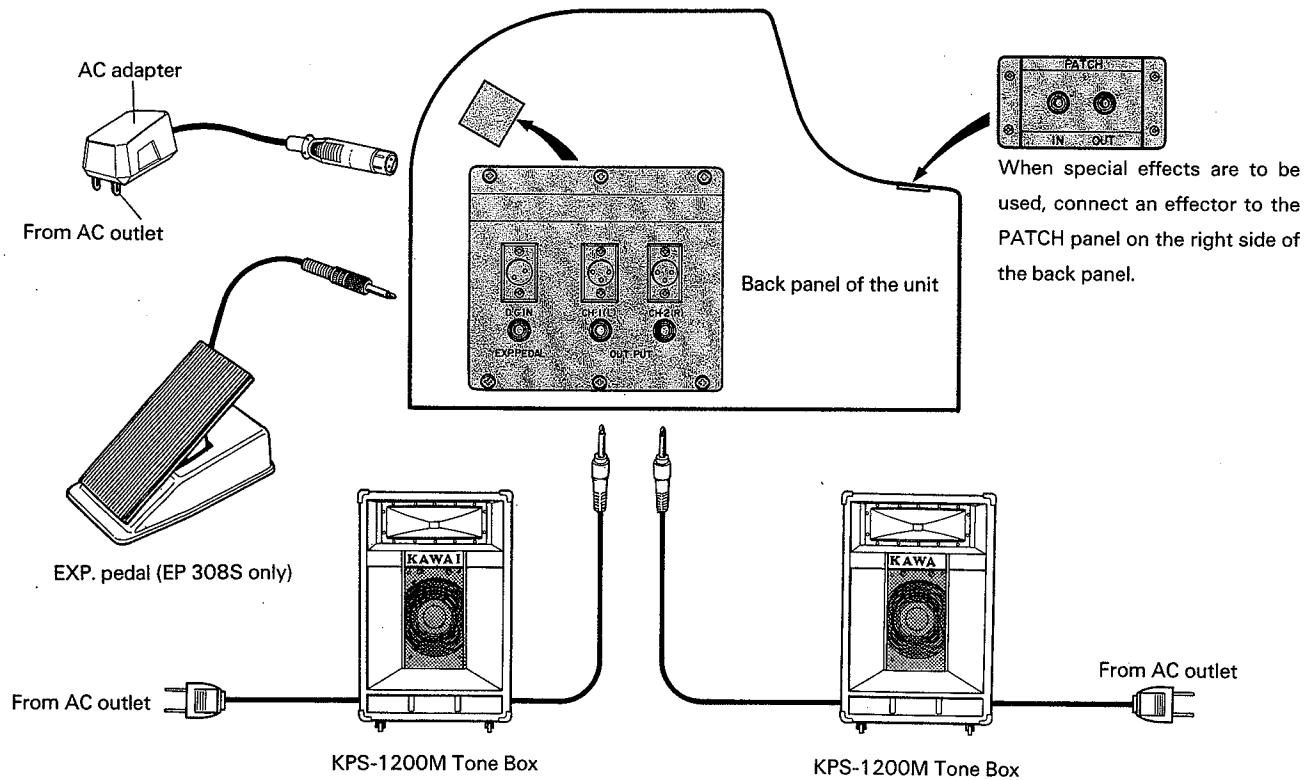


Signal cable accessory (2 each)



Two tone boxes (optional purchase; use of the KAWAI KPS-1200M is recommended)

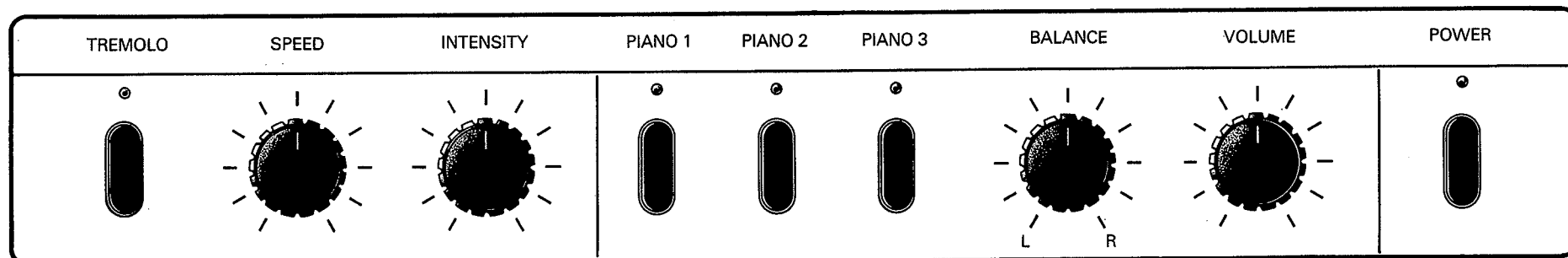
2) Make cable connections as shown in the diagram below.



- Connect the AC adapter to the DC IN socket on the back panel of the unit.
- Connect the tone boxes and the piano with the signal cables.
 - Left speaker..... CH-1 (L) on the back panel
 - Right speaker... CH-2 (R) on the back panel
 If Cannon type plugs are to be used for this purpose, connect them to the Cannon type terminals on the back panel.
- Plug the tone boxes and the AC adapter in AC outlets.
- Set all power switches to ON.

5. OPERATION

Illustrated : EP308S



Set the power switch to ON; the red indicator lamp will then light.

Press one of the PIANO buttons (1, 2, or 3); a red lamp will light when any of these buttons is pressed.

These buttons are used to change tone color.

PIANO 1..... Normal
 PIANO 2..... Hard
 PIANO 3..... Brilliant

One of these buttons must be selected. Otherwise there will be no audio output. Pressing any two or three buttons at the same time will mix the tone colors and increase volume. Select the tone color which best suits the music you play or your preference.

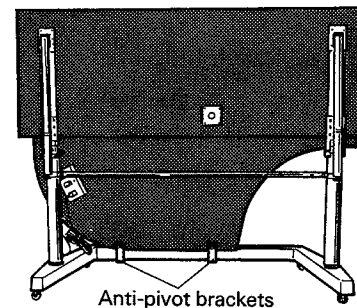
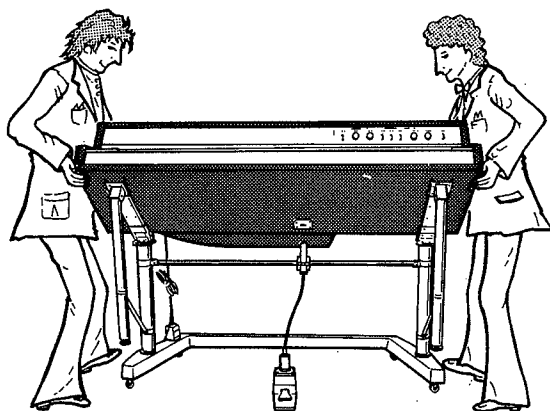
Strike the keys on the keyboard and listen to the sound produced by the speakers.

Volume too low Turn VOLUME knob to the right.
 Volume too high Turn VOLUME knob to the left.
 Left speaker too loud..... Turn BALANCE knob to the right.
 Right speaker too loud..... Turn BALANCE knob to the left.

Tremolo control

To use tremolo..... Set TREMOLO switch to ON.
 (The red lamp will light.)
 To adjust tremolo speed Turn the SPEED knob.
 To adjust tremolo intensity..... Turn the INTENSITY knob.

6. STORAGE (EP308 ONLY)



- a) To turn the body of the piano upright, pivot it as shown in the figure above.

NOTE: _____

Keep your hands away from turning parts.

- b) Remove the pedal.
 c) Since the unit's center of gravity is high, be sure to fasten the anti-pivot brackets before storing or moving it.

7. CARE

PRECAUTIONS CONCERNING EP308

1. Avoid direct sunlight as much as possible.
2. Stand the unit upright before moving or transporting it.
3. After standing the unit upright, be sure to fasten the anti-pivot brackets.
4. Be careful not to place your hands near the casters when the unit is being moved.
5. Avoid jarring the unit.

CARING FOR EP308

1. Since the case is covered with leather, wipe any dirt or stain away gently with a soft, damp cloth.
Do not use wax.
2. Place dessicant inside the EP308 when it is not in use.

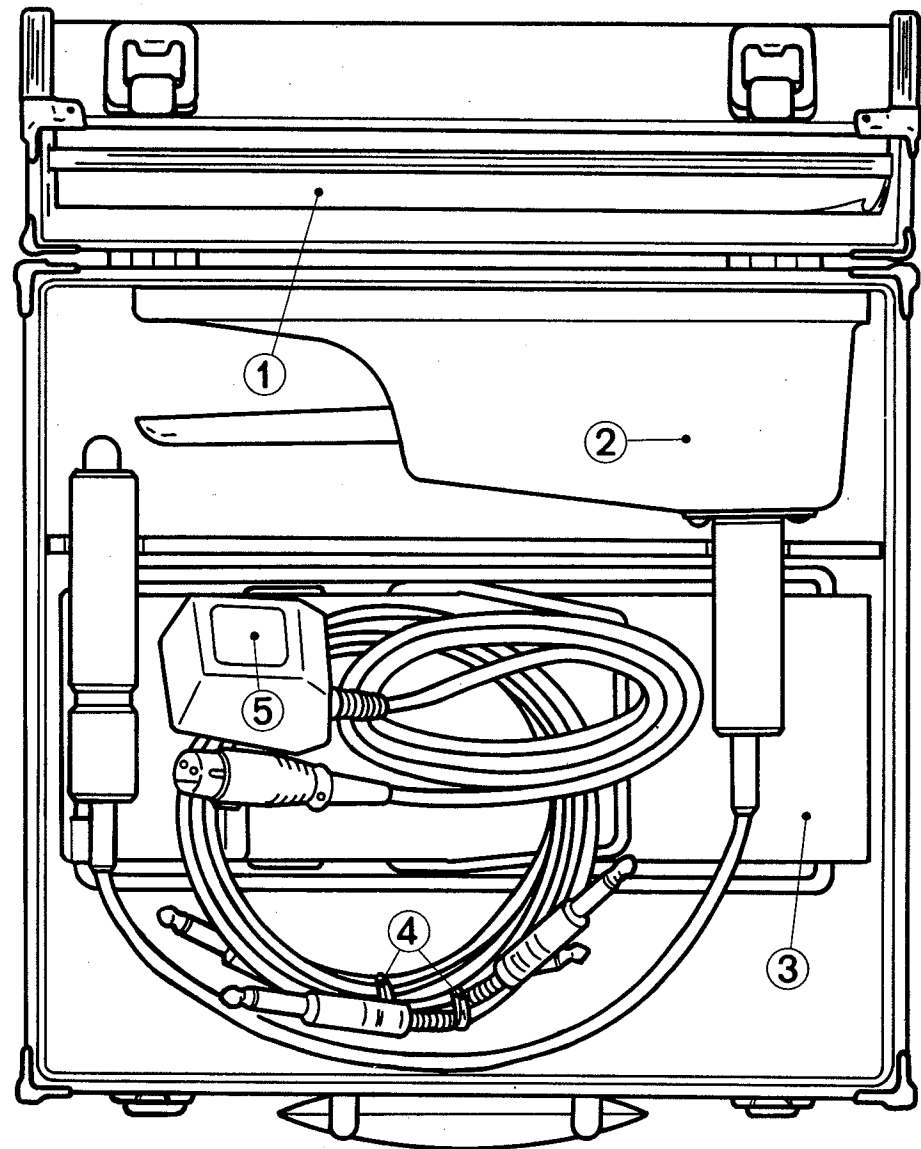
PRECAUTIONS CONCERNING EP308S

1. Avoid direct sunlight as much as possible.
2. The case is made of acrylic resin; to avoid scratch it, not place hard objects such as microphones and metal instruments on top of it.
3. The unit will be difficult to grasp firmly if gloves are worn when moving it; to prevent dropping the unit, use your bare hands.
4. Avoid jarring the unit.

CARING FOR EP308S

1. Use a soft, dry cloth to wipe the acrylic case when it becomes dirty; for stubborn dirt, use special acrylic wax. Organic solvents must not be used, since they can damage acrylic resin.
2. Place dessicant inside EP308S when it is not in use.

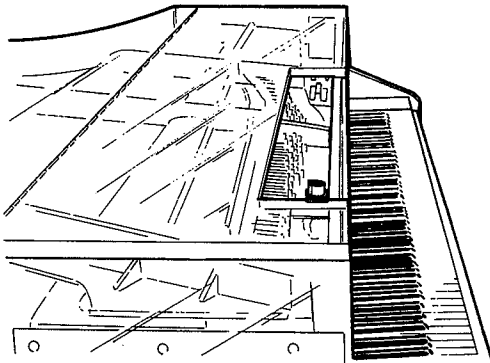
8. ACCESSORY CASE



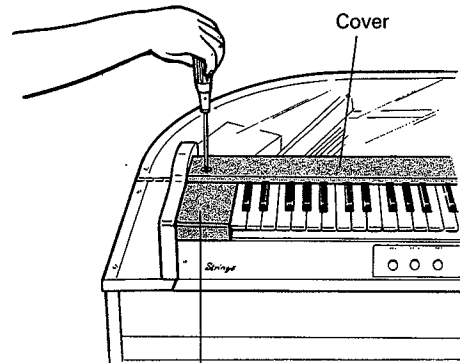
- ① Owner's manual
- ② Damper pedal
- ③ Pedal stopper

- ④ Signal cable
(2 pieces)
- ⑤ AC Adaptor

9. INSTALLING AND CONNECTING STRINGS (Strings is an option which can be used only with EP308S.)

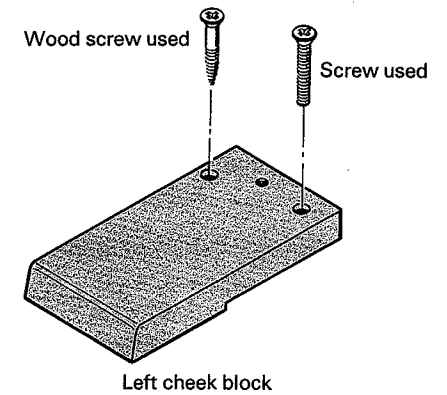


1. To install Strings, remove the side cover from the front top board of EP308S.



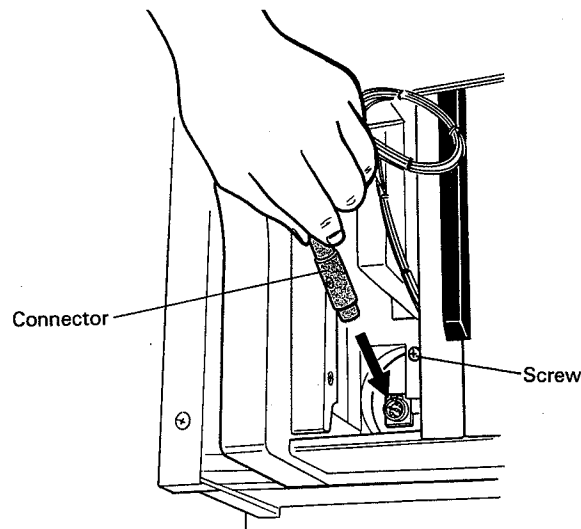
Cheek block

2. Remove the cover and left & right cheek blocks from Strings.

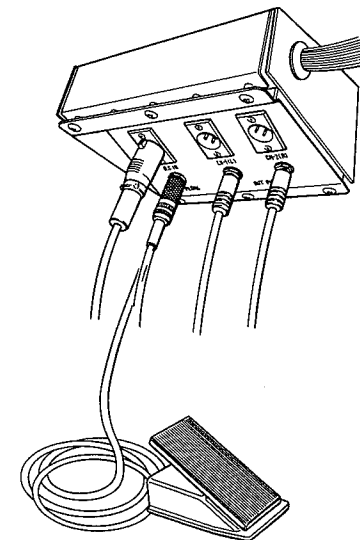


Left cheek block

Note that two different types of screws are used to fasten each of the cheek blocks of Strings. When reinstalling the cheek blocks, be sure to insert these screws in the correct positions.



After the Strings has been screwed to EP308S, plug the connector to EP308S in the location indicated in the drawing. Then, reinstall the cheek blocks and the cover to the Strings.

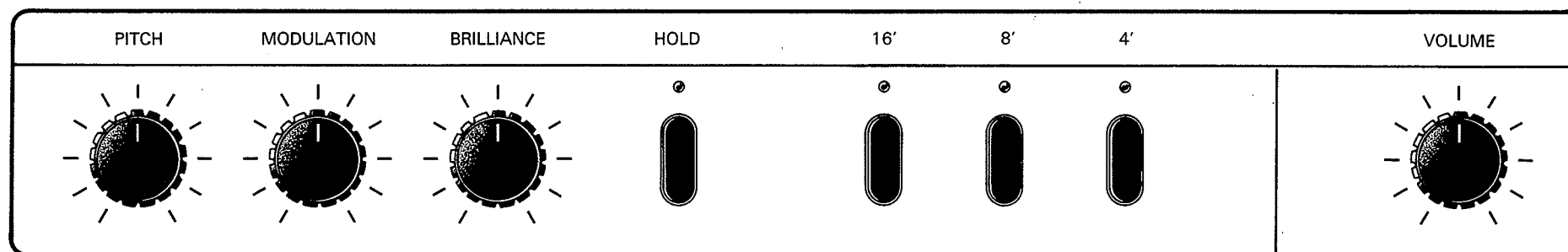


The expression pedal must be connected when Strings is used. This pedal is connected to the EXP. PEDAL terminal on the connector panel (the metallic panel on the back of the unit).

NOTE: _____
See page 7.

10. STRINGS OPERATION

Operation is controlled with the knobs and switches on the Strings panel and with the expression pedal.



- First, set the power switch of EP308S to ON.
- Check whether the footage selector switches (16', 8', and 4') are on.
- Press the expression pedal as far as it will go.
- Operation is ready if sound is generated when a Strings key is pressed.
- Strings controls are as follows.

PITCH control Used to adjust the pitch to that of EP308S.
 MODULATION control The intensity of modulation is increased when this knob is turned to the right and reduced when it is turned to the left.
 BRILLIANCE control Brilliance increases as this knob is turned to the right and reduces when it is turned to the left.
 HOLD switch A note can be maintained until the next key is pressed by setting this switch to ON.

VOLUME Turn this knob to the right when the volume is too low.
 Since the volume is affected by the expression pedal, adjust it with the expression pedal fully depressed.
 16' switch 16-foot sound is produced.
 8' switch 8-foot sound is produced.
 4' switch 4-foot sound is produced.
 These three switches are independent of one another, and can be used in combination.

11. STRINGS SPECIFICATIONS

Strings is an option which can be used only with EP308S.

Strings is installed on the top of EP308S. Its power is supplied from EP308S, and the sound it produces is output to EP308S.

Keyboard	37 keys (C scale)	
Footage	16' 8' 4'	
Controls and Effect	Pitch control Total volume Brilliance control	Modulation Hold switch
Pedal	Expression	
Dimensions	705 × 117 × 335	
Weight	10 kg	

KAWAI

Kawai Musical Instruments Manufacturing Co., Ltd.
200 Terajima-cho, Hamamatsu, Japan

Kawai America Corporation
24200 South Vermont Avenue, Harbor City,
California, 90710 U.S.A.

Kawai Canada Music
A Division of MKB Music Ltd.
1661 Inkster Boulevard
Winnipeg, Manitoba R2X 2W7
Canada

Kawai Australia Pty. Ltd.
447 Kent Street, Sydney, N.S.W. 2000
Australia

Kawai Europa GmbH
Max-Planck Str. 20-22 4006 Erkrath-Untersfeldhaus
West Germany

Kawai Deutschland GmbH
Max-Planck Str. 20-22 4006 Erkrath-Untersfeldhaus
West Germany

Kawai Deutschland GmbH
U.K. Office
94 Jermyn Street, London SW1
United Kingdom